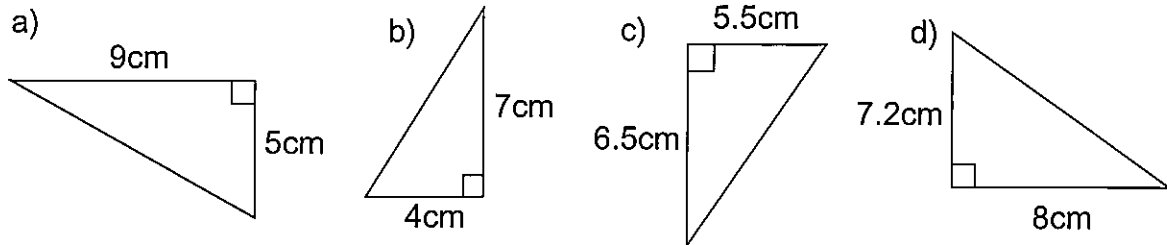


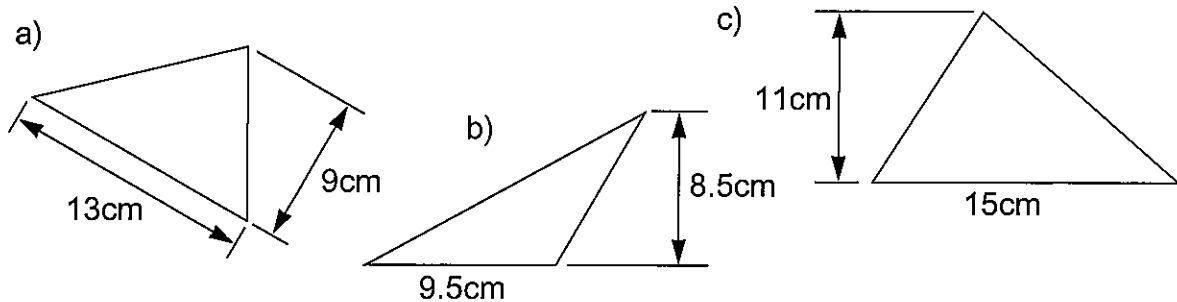
Area of a Right Angled Triangle

L.7

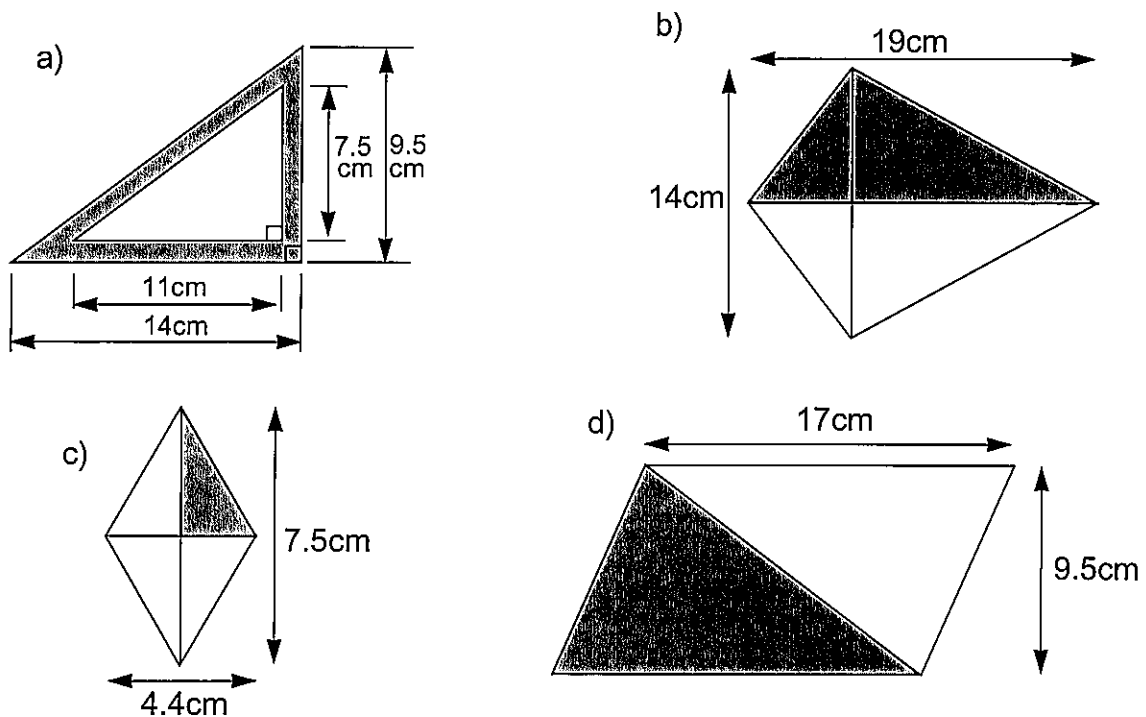
1) Calculate the areas of these triangles.



2) Calculate the areas of these triangles.



3) Use the rule for finding the area of a triangle to calculate the shaded areas in the following shapes. Diagram b is a kite, c is a rhombus and d is a parallelogram.



4) Using the results of question 3, explain how you would calculate the areas of:-

- a) a kite
- b) a rhombus
- c) a parallelogram